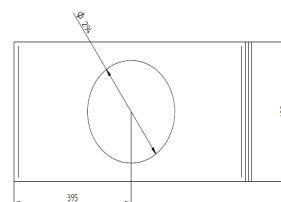
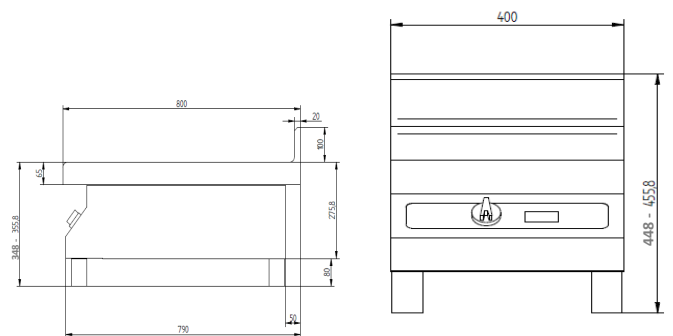
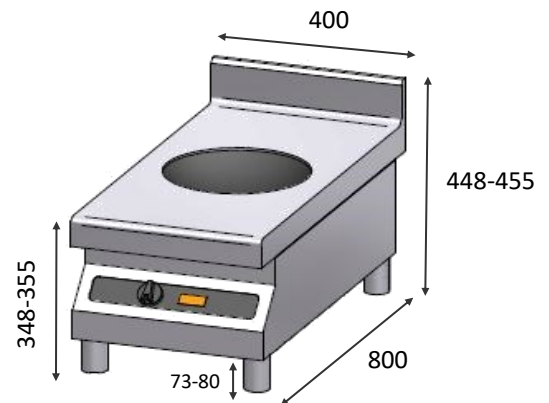


TECHNICAL FEATURES

External structure	AISI 304 stainless steel
Dimensions	80x400x348-355 mm
Power	8000W
Cooking surface	Vitroc ceramic glass.
Control panel	Glass touches
Amp	12A
Functions	On/Off, manual power setting (+/-) with 4 digits display and 3 presets
Power supply	220-230V; 380-400V; 440V; AC 50-60 Hz
Weight	30kg / 66.13 lbs
Standards	Complies with European standards for safety of electrical appliances, for EMC, for Rohs and Intertek NSF & UL standards.
Options & Details	Including a filter (wash regularly) Adjustable and removable feet



millimeters



ADVENTYS
Route de Pagny - 21250 Seurre - France
www.adventys.com
sales@adventys.com
T: +33 3 80 20 46 15

Important note

Adventys reserves the right to modify specifications without notice.

